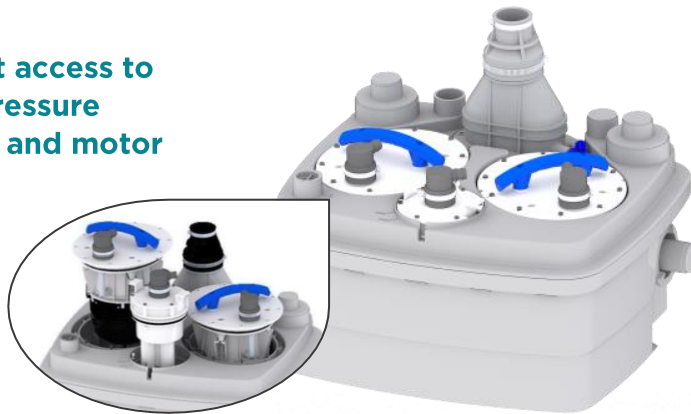


SANICUBIC® 2 Classic

SANICUBIC® 2 Classic is a pre-assembled duplex grinder system designed for both residential and commercial applications. Each pump is fitted with a high-performance maceration system.

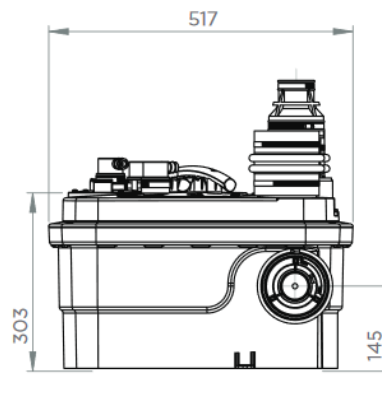
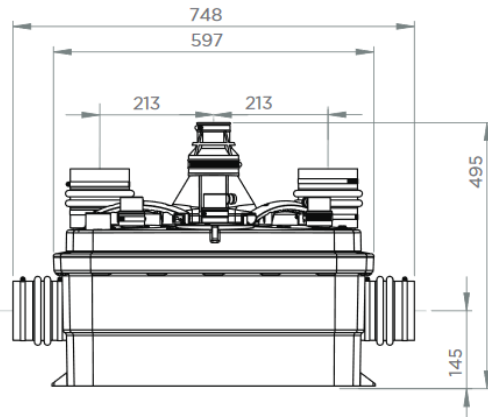
The 2 pumps operate alternately. In the event of inflow overload, both motors run at the same time (or if one of the pumps is faulty, the other one takes over). IP 68 index of protection makes the pump submersible.

Direct access to the pressure tubes and motor



TECHNICAL CHARACTERISTICS

Discharge	50 mm
Motor	2 x 1500 Watts / 6A each
Voltage	220-240 V / 50 Hz
Working Water Temperature	35° C Max 70°C (intermittent)
Tank Volume	45 L
Product Weight	30kg's
Overall Measurements	688 x 440 x 515 mm
Inlet Pipe Work	40-50 / 110 mm
IP Rating	IP68
Cable length for Control Panel	4m
Cable length for Wired Alarm Panel	5m
Maximum flow rate	400 L/min (2 x motors)
Max discharge height	11 m



APPLICATION



TOILET



HAND BASIN



SHOWER



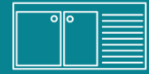
BATH



WASHING MACHINE

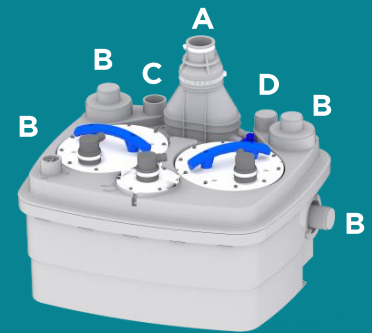


DISHWASHER



KITCHEN SINK

SANICUBIC® 2 Classic



A: 50 mm Discharge

B: 40-110 mm Inlets

C: 50mm / Open Vent

D: 40/50 mm inlet

Product Reference: R4LCIP68NM

Saniflo

SFA SOUTH AFRICA

Shaking up water

Made in France to the highest standards, needs to be installed by a licensed plumber.

EQUIPPED WITH

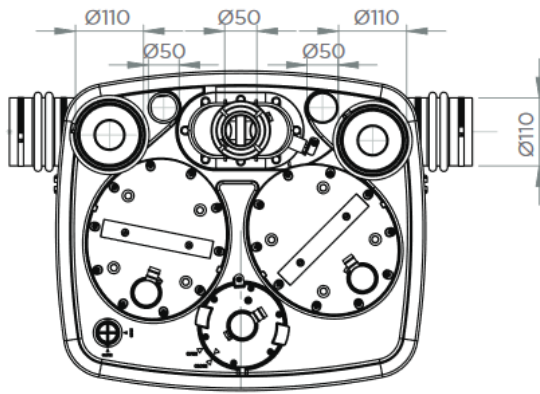
External mounted control box



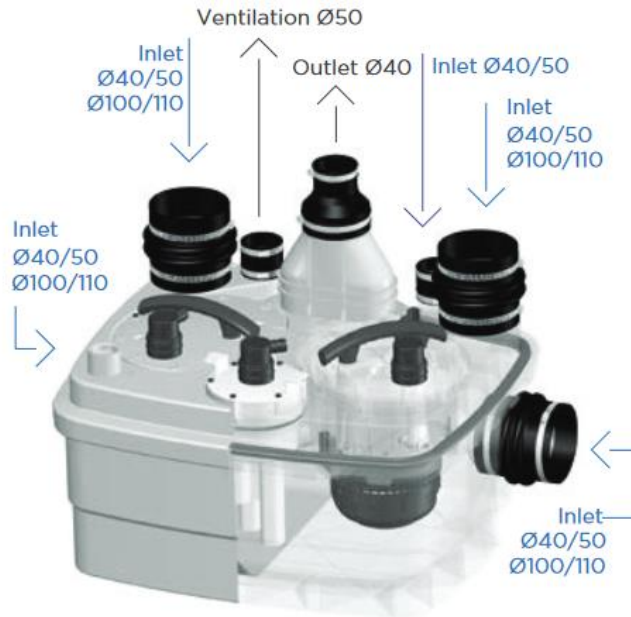
Remote hard-wired alarm



Stainless Steel blade suitable for heavy usage



Note: Isolation valves should be fitted to the inlet pipework and discharge pipework to isolate the unit for servicing.



ACCESSORIES (sold separately)

Carbon filter - when you can't take the vent outdoors



Shut-off valve used on the inlets for ease of maintenance



WHY CHOOSE THIS PRODUCT

Tough, reliable macerating lifting station

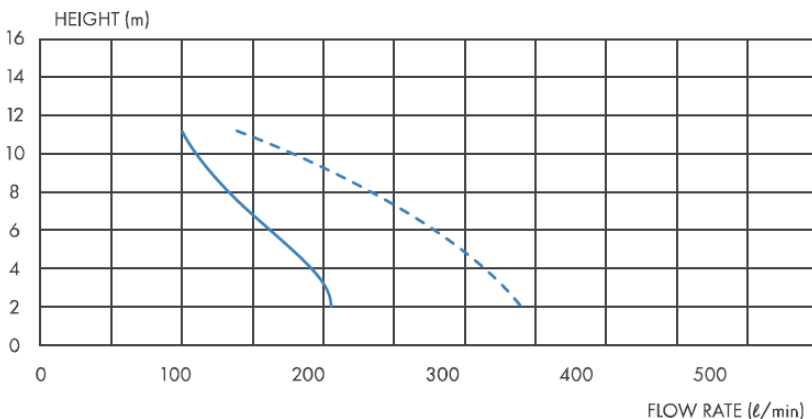
New design with easily removable motor for servicing and maintenance

External hard-wired audio-visual alarm

Centre heights of inlets 145 mm

Base of pump needs to be minimum 275 mm below lowest fixture

Allow 200 mm clearance around pump for maintenance purpose



P1 P1 + P2

Saniflo

SFA SOUTH AFRICA
Shaking up water

Made in France to the highest standards, needs to be installed by a licensed plumber.